

LIVINOX[®]

GERMANY

KITCHEN APPLIANCES/ 2024 EDITION_V1

FOR A BETTER
LIFESTYLE



For more information, please scan



5 YEARS
MOTOR WARRANTY
★★★★★



BLDC MOTOR
Low Noise & Energy Efficiency



SMART MOTION SENSOR

DUAL SUCTION
2150m³/H

PATENTED=ZL200620068054.2

LCH-ROSEDC-90BL

NORMAL PRICE RM5,800

PACKAGE WITH LGH-588T

RM4,088 EAST MALAYSIA RM4,292

PACKAGE WITH LGH-688T

RM4,338 EAST MALAYSIA RM4,545

- 3 Speed Sensor Touch
- Color Control Panel
- Touchless Smart Motion Sensor
- Black Powder Coated Stainless Steel & Tempered Glass Finishing
- BLDC Motor, 2150m³/h
- Detachable Oil Cup
- Elegance Arch Corner Design
- Big LED Light
- Delay Timer
- Easy Maintenance
- One Touch Auto-Cleaning

5 YEARS
MOTOR WARRANTY
★★★★★



PRICE ARE INCLUDED BUILT-IN-HOB

LGH-588T 2B -BL
WORTH RM2,500

or LGH-688T 3B-BL
WORTH RM3,050



+PWP
ADD ON RM108



LKW-308
STEAM COOKWARE
WORTH RM599
**While stock last*



One Touch Auto-cleaning



With Recirculating System (Optional)



Delay Timer

PATENTED=ZL200620068054.2

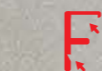
LCH-COPPERDC-GM-90

NORMAL PRICE RM5,400

WEST MALAYSIA **RM3,288**

EAST MALAYSIA RM3,452

- 3 Speed Touch Control + Turbo System
- Colour Touch Panel
- Touchless Smart Motion Sensor
- Gun Metal Coated Stainless Steel & Tempered Glass Finishing
- BLDC Motor, 2150m³/h
- Dual Direction Suction
- Delay Timer
- One Touch Auto-Cleaning
- Easy Maintenance
- Wall Panel Protection
- With Recirculating System (optional)



DUAL SUCTION
(Upper and Side Suction)



One Touch Auto-cleaning



With Recirculating System (Optional)



Turbo System



Delay Timer



PATENTED=ZL200620068054.2

LCH-COPPERDC-90BL

NORMAL PRICE RM5,200

WEST MALAYSIA **RM3,138**

EAST MALAYSIA RM3,295

- 3 Speed Sensor Touch Control Panel + Turbo System
- Touchless Smart Motion Sensor
- Black Coated Stainless Steel & Tempered Glass Finishing
- BLDC Motor, 1750m³/h
- Dual Direction Suction
- Delay Timer
- One Touch Auto-Cleaning
- Easy Maintenance
- Wall Panel Protection
- With Recirculating System (optional)

5 YEARS
MOTOR WARRANTY
★★★★★



PRICE ARE INCLUDED BUILT-IN-HOB

LGH-EURECA 2B-BL
WORTH RM1,210

+PWP
ADD ON RM108



LKW-308
STEAM COOKWARE
WORTH RM599
**While stock last*



PRICE ARE INCLUDED BUILT-IN-HOB

LGH-EURECA 2B-BL
WORTH RM1,210

+PWP
ADD ON RM108



LKW-308
STEAM COOKWARE
WORTH RM599
**While stock last*



PATENTED=ZL200620068054.2

LCH-LILY-90BL

NORMAL PRICE RM3,400

WEST MALAYSIA **RM2,388**

EAST MALAYSIA RM2,507

- 3 Speed Sensor Touch Control Panel
- Touchless Smart Motion Sensor
- Black Coated Stainless Steel & Tempered Glass Finishing
- 1950m³/h, Suction Power
- Easy Maintenance
- One Touch Auto-Cleaning
- With Recirculating System (optional)

ONE TOUCH AUTO-CLEANING

Just One Touch For Odorless Kitchen

- 1 Heats and dissolves sticky grease
- 2 Sirocco fan spins and grease is transferred to oil tray

PATENTED=ZL200620068054.2

LCH-OCEAN-90BL

NORMAL PRICE RM4,500

WEST MALAYSIA **RM2,888**

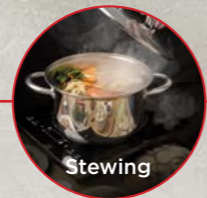
EAST MALAYSIA RM3,032

- Sensor Touch Panel
- Touchless Smart Motion Sensor
- Black Coated Stainless Steel & Tempered Glass Finishing
- 1800m³/h
- 3 Speed Touch Control
- Twin Motor with Individual Control Panel
- Delay Timer
- One Touch Auto-Cleaning
- Easy Maintenance



POWERFUL TWIN MOTOR

3 SPEED TOUCH CONTROL



PRICE ARE INCLUDED BUILT-IN-HOB

LGH-EURECA 2B-BL
WORTH RM1,210

+PWP
ADD ON RM108



LKW-308
STEAM COOKWARE
WORTH RM599
*While stock last



VAPOR CLEAN

350mm COMPACT DESIGN

AUTOMATIC SENSOR SUCTION

PATENTED=ZL200620068054.2

LCH-90SW-GM

NORMAL PRICE RM6,500

WEST MALAYSIA **RM3,888**

EAST MALAYSIA RM4,082

- 4 Speed Sensor Touch Control Panel
- Touchless Smart Motion Sensor
- Gun Metal Coated Stainless Steel & Black Tempered Glass Finishing
- BLDC Motor, 2250m³/h
- Hi-Temperature Vapour Clean
- Easy Maintenance

- Dual Suction (Upper and Side Suction)
- One Touch Auto-cleaning
- Build-in Food Warmer
- With Recirculating System (Optional)
- Turbo System

PATENTED=ZL200620068054.2
LCH-COPPERPLUS-90SS

NORMAL PRICE RM5,040
 WEST MALAYSIA **RM2,988**

EAST MALAYSIA RM3,138

- 3 Speed Sensor Touch Control Panel
- Stainless Steel & Tempered Glass Finishing
- 1750m³/h, Suction Power
- Dual Direction Suction
- Automatic Turbo System
- Food Warmer Panel
- One Touch Auto-Cleaning
- Easy Maintenance
- Wall Panel Protection
- With Recirculating System (optional)



- One Touch Auto-cleaning
- With Recirculating System (Optional)
- Delay Timer

PATENTED=ZL200620068054.2
LCH-VELLA-90BL

NORMAL PRICE RM3,400
 WEST MALAYSIA **RM2,488**

EAST MALAYSIA RM2,612

- 3 Speed Sensor Touch Control Panel
- Touchless Smart Motion Sensor
- Black Coated Stainless Steel & Tempered Glass Finishing c/w Glass Finishing Chimney
- 1950m³/h, Suction Power
- One Touch Auto-Cleaning
- With Recirculating System (optional)



- One Touch Auto-cleaning
- With Recirculating System (Optional)
- Delay Timer

PATENTED=ZL200620068054.2
LCH-METAL-90GM

NORMAL PRICE RM3,000
 WEST MALAYSIA **RM2,088**

EAST MALAYSIA RM2,192

- Touchless Smart Motion Sensor
- 3 Speed Sensor Touch Control Panel
- Gun Metal Finishing
- 1800m³/h
- One Touch Auto-Cleaning
- Rectifying Cover Panel
- Delay Timer
- Recirculating System (Optional)



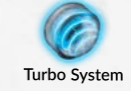
PATENTED=ZL200620068054.2

LCH-NITE-90BL

NORMAL PRICE RM3,000
 WEST MALAYSIA **RM2,088**

EAST MALAYSIA RM2,192

- 3 Speed Sensor Touch Control Panel
- Touchless Smart Motion Sensor
- Black Coated Stainless Steel & Tempered Glass Finishing
- 1400m³/h, Suction Power
- Hydraulic Push-up cover for easy cleaning
- Black Coated Stainless Steel Filter
- One Touch Auto-Cleaning
- With Recirculating System (Optional)



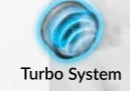
PATENTED=ZL200620068054.2

LCH-LAZULI-90SS

NORMAL PRICE RM5,780
 WEST MALAYSIA **RM3,688**

EAST MALAYSIA RM3,872

- Multifunction Sensor Touch
- 3 Speed Touch Control + Turbo System Speed Sensor Touch
- Control Panel
- Stainless Steel & Tempered Glass Finishing
- 1800m³/h, Suction Power
- Twin Motor
- Delay Timer
- One Touch Auto-Cleaning



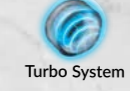
PATENTED=ZL200620068054.2

LCH-GOSSAN-90SS

NORMAL PRICE RM3,380
 WEST MALAYSIA **RM2,588**

EAST MALAYSIA RM2,717

- Multi-Functional Sensor Touch Panel
- 3 Speed Sensor Touch
- Stainless Steel Finishing
- 1450m³/h, Suction Power
- Automatic Turbo System
- One Touch Auto-Cleaning



PATENTED=ZL200620068054.2

LCH-PEARL-90B

NORMAL PRICE RM5,040
 WEST MALAYSIA **RM3,788**

EAST MALAYSIA RM3,977

- Multi-Functional Sensor Touch Panel
- 3 Speed Sensor Touch
- Stainless Steel & Black Tempered Glass Finishing
- 1600m³/h, Suction Power
- 6 Pre-set Program
- Built-in Air Ionizing
- Intelligence LED design
- One Touch Auto-Cleaning



PRICE ARE INCLUDED
 BUILT-IN-HOB

LGH-EURECA 2B-BL
 WORTH RM1,210

+PWP
 ADD ON RM108



LKW-308
 STEAM COOKWARE
 WORTH RM599
 *While stock last



PRICE ARE INCLUDED
 BUILT-IN-HOB

LGH-EURECA 2B-BL
 WORTH RM1,210

+PWP
 ADD ON RM108



LKW-308
 STEAM COOKWARE
 WORTH RM599
 *While stock last

5 YEARS
MOTOR WARRANTY



PATENTED=ZL200620068054.2
LCH-RUBY-90SS

NORMAL PRICE RM3,830
WEST MALAYSIA **RM2,588**
EAST MALAYSIA RM2,717

- Multi-Functional Sensor Touch Panel
- 3 Speed Sensor Touch Stainless Steel Finishing
- 1450m³/h, Suction Power
- Stainless Steel Rectifying Cover Panel
- Automatic Turbo System
- One Touch Auto-Cleaning
- Come with Charcoal Filter
- Recirculating System



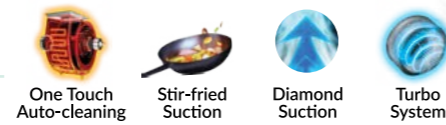
5 YEARS
MOTOR WARRANTY



PATENTED=ZL200620068054.2
LCH-AMOLITE-90SS

NORMAL PRICE RM4,580
WEST MALAYSIA **RM3,188**
EAST MALAYSIA RM3,347

- Multi-Functional Sensor Touch Panel
- 3 Speed Sensor Touch
- Stainless Steel & Tempered Glass Finishing
- 1600m³/h, Suction Power
- Stainless Steel Cover Panel
- Automatic Turbo System
- One Touch Auto-Cleaning



5 YEARS
MOTOR WARRANTY



PATENTED=ZL200620068054.2
LCH-LAPIS-90SS

NORMAL PRICE RM3,090
WEST MALAYSIA **RM2,288**
EAST MALAYSIA RM2,402

- 3 Speed Sensor Touch Control Panel
- Gas Sensor
- Stainless Steel & Tempered Glass Finishing
- 1400m³/h, Suction Power
- One Touch Auto-Cleaning
- Double Layer Stainless Steel Pyramid Filter
- Recirculating System (Optional)



5 YEARS
MOTOR WARRANTY



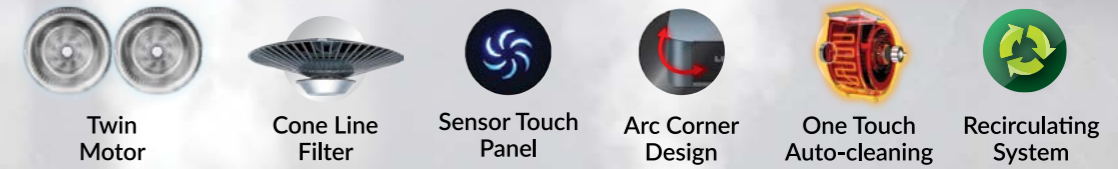
PATENTED=ZL200620068054.2
LCH-TOPAZ-90SS

NORMAL PRICE RM3,430
WEST MALAYSIA **RM2,188**
EAST MALAYSIA RM2,297

- 3 Speed Sensor Touch Control Panel
- Gas Sensor
- Stainless Steel & Tempered Glass Finishing
- 1200m³/h, Suction Power
- Double Layer Stainless Steel Pyramid Filter
- Come with Charcoal Filter
- Recirculating System



5 YEARS
MOTOR WARRANTY



PATENTED=ZL200620068054.2

LCH-620-76B
LCH-620-90B

620-76B **RM1,678**
620-90B **RM1,798**

- 760mm/900mm Slim Hood
- Matt Black Coating Body and Tempered Glass Finishing
- 2 Speed Sensor Touch
- Air Flow 1200m³/h
- Air Outlet : 150mm
- Auto Cleaning Heating Element
- Twin Copper Motor
- 2 Cone Line Net Filter
- 3 Stainless Steel Oil Cup
- Ducted or Recirculation Air Operation
- With PVC Ducting Hose and Charcoal Filter



PRICE ARE INCLUDED
BUILT-IN-HOB

LGH-EURECA 2B-BL
WORTH RM1,210

+PWP
ADD ON RM108



LKW-308
STEAM COOKWARE
WORTH RM599
**While stock last*

LCH-800i-90SS (ISLAND HOOD)

RM7,480

- Double Side Sensor Touch Panel
- Stainless Steel Finishing
- 1450m³/h
- 3 Speed Touch Control
- With Charcoal Filter
- Recirculating System



With Recirculating System



ISLAND COOKER HOOD

FOR A SLEEK
& STYLISH KITCHEN



LCH-601A-90SS LCH-601A-90BL

RM1,050

- 900mm Slim Hood
- Stainless Steel Finishing / Black
- 3 Speed Push Control
- Air Flow 980 m³/h
- Twin motor
- 3 Layers Aluminium Filter
- 1* 2W LED Lamp
- Ducted or Recirculation Air Operation
- With Charcoal Filter
- Air Outlet: 120mm



With Recirculating System

LCH-60L03/ LCH-90L03

RM1,050/RM1,200

- 600mm/ 900mm Telescopic Hood
- Powder Coating w S/S Canopy
- Two Speed Rocker Switch
- Twin Motor
- Air Flow 850 m³/h
- 2* 3 Layers Aluminium Grease Filters
- 1* Incandescent bulb (40W)
- Air Outlet: 120mm
- Ducted or recirculation air operation with Charcoal Filter



With Recirculating System

LCH-605-60SS

RM1,200

- 530 mm Built-in Hood
- Stainless Steel Finishing
- 3 Speed Push Control
- Air Flow 650m³/h
- 1* 3Layers Aluminium Filter
- 2* 1.5W LED Lamp
- Ducted Air Operation
- With Recirculating System (Optional)



With Recirculating system (Optional)

LGH-688T 3B-BL

NORMAL PRICE RM3,050

ADD ON **RM800**

- 2x Tornado Burners + 1 Small Burner
- 8mm Black Tempered Glass + Rose-Gold Aluminium Frame
- Cast Iron Pan Support
- L : 5.5 ; R : 5.5; M : 1.4 (kW)
- Wind Resistance & Heat Enhancement
- Imported Safety Device
- Digital Timer (Left & Right - Up to 180min)
- Flexi Built-in



FAST IGNITION



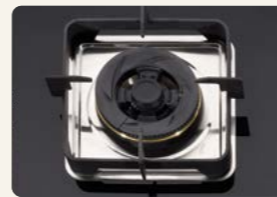
Digital Timer



Rose Gold Frame



TORNADO BURNERS



WIND RESISTANCE & HEAT ENHANCEMENT



SAFETY DEVICE
Auto cut off gas supply once flame failure (7-12seconds)

LGH-588T 2B-BL

NORMAL PRICE RM2,500

ADD ON **RM550**

- 2 x Tornado Burners
- 8mm Black Tempered Glass + Rose-Gold Aluminium Frame
- Cast Iron Pan Support
- L : 5.5 ; R : 5.5 (kW)
- Wind Resistance & Heat Enhancement
- Imported Safety Device
- Digital Timer (Left & Right - Up to 180min)
- Flexi Built-in



POWERFUL & STABLE FOR MULTIPLE COOKING ACTIVITIES



Stewing

Simmering

Boiling

Stir-Frying

Deep-Frying



LGH-328T 2B-BL

NORMAL PRICE RM1,600

ADD ON **RM250**

- 2 X 3s Burners
- 8mm Black Tempered Glass
- Cast Iron Pan Support
- L : 5.2 ; R : 5.2 (kW)
- Imported Safety Device
- Wind Resistance & Heat Enhancement
- Digital Timer (Left & Right - Up to 180min)
- **Flexi Built-in**



Flexi Built-in



3x Powerful



5.2kW Fire Flame



Safety Device

STRONGER
STABLE
STYLISH
3S BURNERS



LGH-338T 3B-BL

NORMAL PRICE RM1,900

ADD ON **RM350**

- 2 x 3S Burners + 1 x Small Burner
- 8mm Black Tempered Glass
- Cast Iron Pan Support
- L : 5.2 ; R : 5.2 ; M : 1.65 (kW)
- Wind Resistance & Heat Enhancement
- Imported Safety Device
- **Flexi Built-in**



Flexi Built-in



Safety Device

LGH-428 2B-SS

NORMAL PRICE RM1,600

ADD ON **RM250**

- 2 X 3s Burners
- Stainless Steel Finishing
- Cast Iron Pan Support
- L : 5.2 ; R : 5.2 (kW)
- Imported Safety Device
- **Flexi Built-in**



Flexi Built-in



Safety Device

LGH-PEBBLE 2B-BL

NORMAL PRICE RM2,200

ADD ON **RM400**

- 2x Tri-Halo Burner Ring
- 8mm Black Tempered Glass
- Cast Iron Pan Support
- Fast Ignition
- L: 6.5 R:6.5(kW)
- Digital Timer: Left Side (Up To 180min)
- Delicate Simmer Flame
- Wind Resistance & Heat Enhancement
- Imported Safety Device
- Flexi Built-in Hob

TRI-HALO BURNER

Triple Flame with three individual ring burners



Heat Efficiency up to ≤65%

6.5 kW

FLEXI BUILT-IN



Simultaneously lower the inner and outer flames

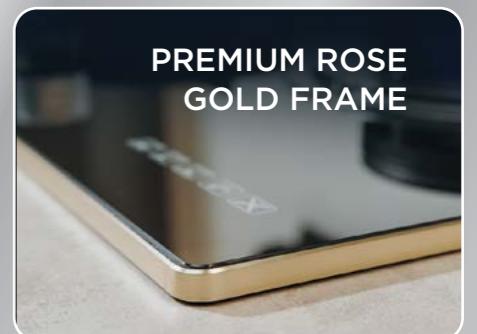
FULLY ADJUSTABLE FLAME



DIGITAL TIMER



WIND RESISTANCE & HEAT ENHANCEMENT



PREMIUM ROSE GOLD FRAME



5.5 kW



Simultaneously lower the inner and outer flames



LGH-438B 2B-SL

NORMAL PRICE RM1,750
ADD ON **RM300**

- 2 x Sealed Burners
- 8mm Sintered Stone (Heat Resistance)
- Cast Iron Pan Support
- L : 5.5 ; R : 5.5 (kW)
- Wind Resistance & Heat Enhancement
- Imported Safety Device



5.5 kW



Simultaneously lower the inner and outer flames



LGH-438G 2B-SL

NORMAL PRICE RM1,750
ADD ON **RM300**

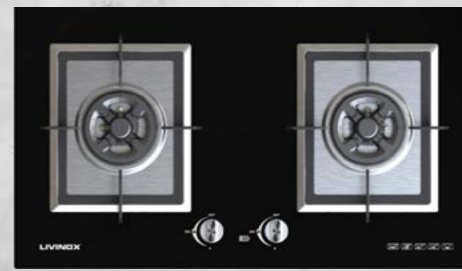
- 2 x Sealed Burners
- 8mm Sintered Stone (Heat Resistance)
- Cast Iron Pan Support
- L : 5.5 ; R : 5.5 (kW)
- Wind Resistance & Heat Enhancement
- Imported Safety Device



LGH-EURECA 2B-BL

NORMAL PRICE RM1,210

- 2x Cyclone Burners
- 8mm Black Tempered Glass
- Cast Iron Pan Support
- L:4.5 ; R:4.5 (kW)
- Imported Safety Device



Low Battery Indicator



2x Triple Flame



Safety Device

LGH-LOTUS 2B-BL

NORMAL PRICE RM2,060

ADD ON **RM350**

- 2x Triple Flame Burners
- 8mm Black Tempered Glass
- Low Battery Indicator
- Cast Iron Pan Support
- L:5.0 ; R:5.0 (kW)
- Imported Safety Device



Flexi Built-in



Safety Device

LGH-PINE 3BF-BL

NORMAL PRICE RM2,840

ADD ON **RM700**

- 2x 3D Rapid Burners
- 1x Rapid Burner
- 8mm Black Tempered Glass
- Cast Iron Pan Support
- L: 5.5 ; R: 5.5 ; M: 2.0 (kW)
- Imported Safety Device

5.5 kW



Flexi Built-in



Safety Device

LGH-MAPLE 2BA-BL

NORMAL PRICE RM2,900

ADD ON **RM500**

- Top-inlet Burners
- 8mm Black Tempered Glass
- Cast Iron Pan Support
- L: 5.0 ; R: 5.0 (kW)
- Imported Safety Device



Top In-let Burner



Flexi Built-in



Safety Device

LGH-ACER 2BF-BL

NORMAL PRICE RM2,370

ADD ON **RM500**

- 2x 3D Rapid Burners
- 8mm Black Tempered Glass
- Cast Iron Pan Support
- L: 5.5 ; R: 5.5 (kW)
- Imported Safety Device

5.5 kW



Flexi Built-in



Safety Device

LGH-ABIE 2B-SS

NORMAL PRICE RM1,360

ADD ON **RM100**

- 2x 3D Rapid Burners
- Stainless Steel Finishing
- Cast Iron Pan Support
- L: 4.8 ; R: 4.8 (kW)
- Imported Safety Device

LEH-3118CS

NORMAL PRICE RM2,980
ADD ON **RM500**



- Left Zone : 2200W Ceramic Dual Zone
- Right Zone : 2200W Ceramic Dual Zone
- Kanger Glass (Brushed Effect)
- Up to 12 Power Level
- Touch Control Panel
- Intelligent Function
- BBQ Function
- Child Lock Safety Device
- Over-heat Protection
- Over-flow Protection
- With Timer Control
- Timer : 0 - 24 hours
- Residual Heat Indicator
- 15amp



Kanger Glass



15 amp



Timer up to 24hrs



Keep Warm
(LEH-4118ICS & LEH-5118ICS)



Child Lock Protection



Sensor Touch Control Panel



BBQ Function



Varied Cookware Material Support



Stir Fried Function



Booster
(LEH-4118ICS & LEH-5118ICS)



Up to 12 Power levels



Intelligent Function

LEH-4118ICS

NORMAL PRICE RM3,090
ADD ON **RM550**

MATTE BRUSHED EFFECT

- Left Zone : 2000W Induction Zone + Booster 2200W
- Right Zone : 2200W Ceramic Dual Zone
- Kanger Glass (Brushed Effect)
- Up to 12 Power Level
- Touch Control Panel
- Intelligent Function
- Child Lock Safety Device
- Over-heat Protection
- Over-flow Protection
- With Timer Control
- Timer : 0 - 24hrs
- 15amp

SPECIAL ADDITION FEATURE ON INDUCTION ZONE:
Keep Warm Function (3 temperature setting, 45°C, 65°C, 85°C) with Booster Function

SPECIAL ADDITION FEATURE ON CERAMIC ZONE:
BBQ Function



LEH-5118ICS

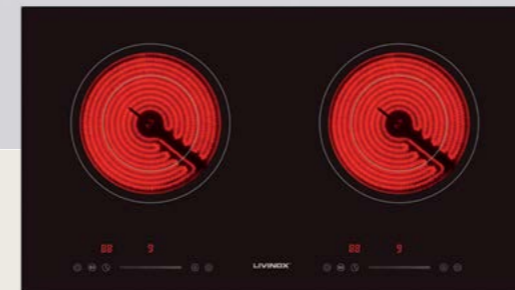
NORMAL PRICE RM3,300
ADD ON **RM650**



- Left Zone : 2200W Induction Zone + Booster 2800W
- Right Zone : 2200W Ceramic Dual Zone
- Kanger Glass (Clear Glass) with bevel edge + Aluminium Frame
- Up to 12 Power Level
- Touch Control Panel
- Intelligent Function
- Child Lock Safety Device
- Over-heat Protection
- Over-flow Protection
- With Timer Control
- Timer : 0 - 24hrs
- 15amp

SPECIAL ADDITION FEATURE ON INDUCTION ZONE:
Half-bridge induction feature, lowest at 200w constantly heating
Keep Warm Function (3 temperature setting, 45°C, 65°C, 85°C) with Booster Function

SPECIAL ADDITION FEATURE ON CERAMIC ZONE:
BBQ Function



LEH-3218CS

NORMAL PRICE RM3,410
ADD ON **RM1,100**



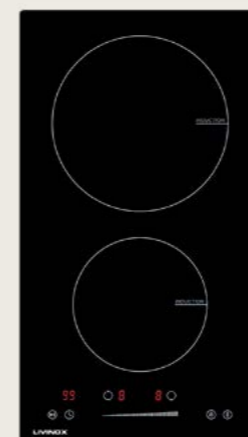
- Left Zone: 2200W
- Right Zone: 2200W
- Sharing Power(Max:2800 W)
- Sensor/Slider Touch Control Panel
- Eurokera Glass
- Germany EGO Heating Element
- Intelligent Function
- Child Lock Safety Device
- Over-heat Protection
- Over-flow Protection
- With Timer Control
- Timer: 0-99mins
- 13amp



LEH-3318CS

NORMAL PRICE RM2,380
ADD ON **RM400**

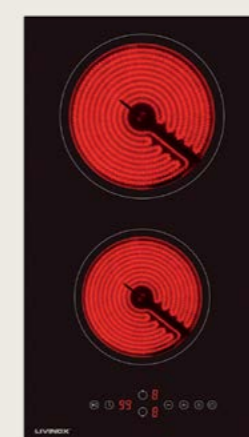
- Left Zone: 2200W
- Right Zone: 2200W
- Sharing Power(Max:2800 W)
- Sensor/Slider Touch Control Panel
- Kanger Glass
- Intelligent Function
- Double Zone Heating Element
- Child Lock Safety Device
- Over-heat Protection
- Over-flow Protection
- With Timer Control
- Timer: 0 - 99 mins
- 13amp



LEH-2000I (DOMINO INDUCTION HOB)

NORMAL PRICE RM1,780
ADD ON **RM250**

- Front Zone: 2000W
- Rear Zone: 1500W
- Kanger Glass
- Sensor/Slider Touch Control Panel with Booster Function
- Individual Timer Control
- Intelligent Function
- Child Lock Safety Device
- Over-heat Protection
- Over-flow Protection
- Pan Sensor
- 15amp



LEH-3000C (DOMINO CERAMIC HOB)

NORMAL PRICE RM1,390
ADD ON **RM200**

- Front Zone: 1800W
- Rear Zone: 1200W
- Kanger Glass
- Sensor Touch Panel
- Intelligent Function
- Over-heat Protection
- Over-flow Protection
- with Timer Control
- Timer : 0 - 99 mins
- Child Lock Safety Device
- 15amp

MULTI FUNCTIONAL COMBI OVEN



	<h3>STEAMING</h3> <p>Healthier cooking by retaining more nutrients in food.</p>		<h3>AIR FRYING</h3> <p>Achieve delicious fried taste and texture with significantly less oil.</p> <p><small>*Only for LCO-SB8-70</small></p>
<h3>SEPARATE TEMP CONTROL</h3> <p>Set different temperatures for the upper and bottom heaters according to cooking needs</p>		<h3>STEAM + GRILL</h3> <p>Conventional heat for consistent browning, while steam adds moisture, creating delicious and nutritious meals.</p>	
	<h3>COLOUR CONTROL PANEL</h3> <p>Modern, lively and user-friendly way to control the functions.</p> <p><small>*Only for LCO-SB8-70</small></p>		<h3>CONVENIENT AUTO-MENU</h3> <p>Simplify the cooking process with pre-programmed recipes.</p> <p><small>*Only for LCO-SB8-70</small></p>



50 Litre



Steam



Bake



Grill



LCO-SB6-50

NORMAL PRICE RM8,000

PWP NOW RM3,988

- Cooking Mode: 9 (6 Baking + 3 Steam Functions)
- Intelligent Menu - 48 dishes
- Led Touch Panel Control
- Cavity : Stainless Steel with 3 Layer Shelves
- Glass Door : Black Finishing
- 50 Litres Large Capacity
- Temperature Setting : 38 - 230°C
- Time Setting : 1 - 99 Min
- Auto Sleep Mode



70 Litre



Steam



Bake



Grill



Air Fry



LCO-SB8-70

NORMAL PRICE RM9,500

PWP NOW RM4,988

- Cooking Mode: 10 (8 Baking + 2 Steam Functions + Air Fryer)
- Intelligent Menu - 108 dishes
- Colour Control Panel
- Cavity Enamel Coated Cavity with 5 Layer Shelves
- Glass Door: Black Finishing
- 70 Litres Large Capacity
- Temperature Setting: 38~ 250°C
- Time Setting: 1-24hrs
- Sterilizer Mode
- Control Temperature for Upper and Lower Heating Separately



LFC-9607-110B

NOW **RM5,888**

GAS HOB

- Enamel Table Top
- 5 Burners
- 1 x Wok Burner (3.6kW)
- 1 x Large Burner (2.9kW)
- 2 x Middle Burners (1.7kW)
- 1 x Auxiliary Burner (0.95kW)
- Glass Top Lid
- Auto Ignition
- Flame Failure Device (FFD)
- Enamel Pan Support/Wok Adaptor
- Single Cavity
- LPG Gas Type

OVEN

- 7 Functions
- 110 Litres Large Capacity
- Removable Double Layer Glass Door
- 4 Layers Side Wire Racks
- Mechanical Timer
- 1 x Deep Tray
- 1 x Wire Tray

LFC-9607-110B	✓			✓		✓	✓	✓		✓		✓
LFC-9609-110SS	✓	✓	✓		✓		✓	✓	✓	✓	✓	✓

LFC-9609-110SS

NOW **RM9,888**

- ### GAS HOB
- Polished Stainless Steel Table Top
 - Sabaf Burners
 - 1x Wok Burner (3.6kW)
 - 1x Large Burner (2.9kW)
 - 2x Middle Burners (1.7kW)
 - 1x Auxiliary Burner (0.95kW)
 - Auto Ignition
 - Flame Failure Device (FFD)
 - Cast Iron Pan Support
 - LPG Gas Type

- ### OVEN
- 9 Functions
 - 110 Litres Large Capacity
 - Digital Timer
 - Removable Double Layer Glass Door
 - Low E Glass
 - 4 Layers Side Wire Racks
 - 1x Deep Tray
 - 1 x Wire Tray

MANUAL STEAM CLEANING

- The easiest way of cleaning the cavity.
- Place 400ml of water into the tray, and use the lower heating function, set oven temperature to 70°C for 30minutes, after 30minutes and use cloth to wipe it clean.

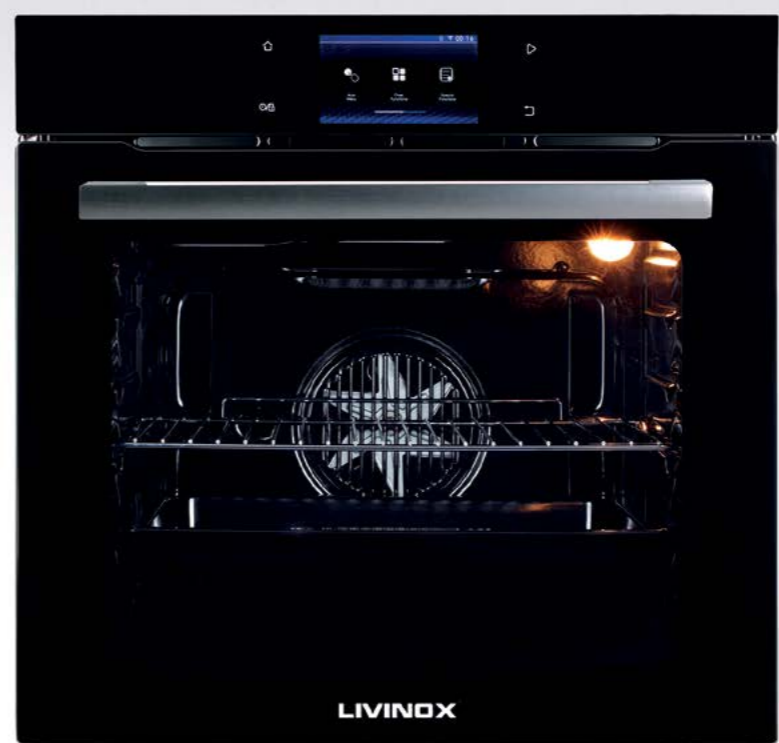


Flame Failure Device (FFD) & Auto Ignition

SABAF
We burn for technology and safety.

MADE IN EUROPE

PWP WITH HOOD+HOB PACKAGE



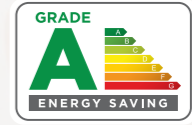
18
FUNCTION

- Defrost
- Reheating
- Drying
- Food Probe
- Eco Mode

LBO-LINOX 18F-75SS

NORMAL PRICE RM7,500
PWP NOW **RM3,988**

- 18 Functions
- 75 Litres Capacity
- TFT Digital Touch Panel
- With Rotisserie
- 24hours Digital Timer
- Removable Triple Layer Glass Door
- Enamel Cavity
- 5 Shelves Side Support
- Explore Apps Features



LBO-LINOX 18F-75SS	✓		✓	✓	✓						✓	✓		✓	✓	✓	✓	✓	✓
LBO-LINOX 9F-75SS	✓	✓		✓	✓						✓	✓		✓	✓	✓	✓	✓	✓
LBO-LINOX 6F-75SS	✓	✓	✓								✓	✓		✓	✓	✓	✓	✓	✓



LBO-LINOX 9F-75SS

NORMAL PRICE RM4,300
PWP NOW **RM2,188**



- 9 Functions
- 75 Litres Capacity
- Removable Triple Layer Glass Door
- With Rotisserie
- Enamel Cavity
- 5 Shelves Side Support
- Mechanical Timer



LBO-LINOX 6F-75SS

NORMAL PRICE RM3,320
PWP NOW **RM1,798**



- 6 Functions
- 75 Litres Capacity
- Removable Triple Layer Glass Door
- With Rotisserie
- Enamel Cavity
- 5 Shelves Side Support
- Mechanical Timer

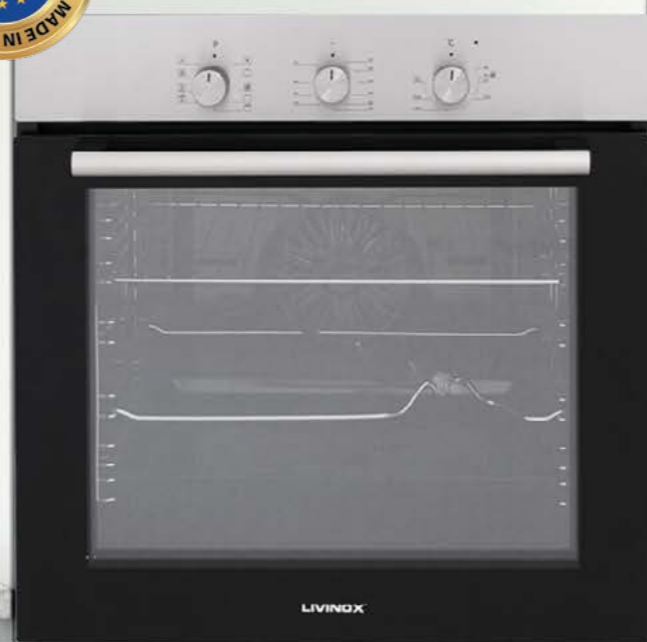
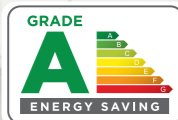
PWP WITH HOOD+HOB PACKAGE

LBO-LINOX 9E4T-87SS

NORMAL PRICE RM6,500

PWP NOW **RM3,388**

- 9 Functions
- 87 Litres XXL Capacity
- Slim Panel With 4 Touch Digital Control
- Enamelled Grey Cavity to Create Clear Visual
- Steam Clean
- Removable Triple Glass Door
- 6 Layers Side Wire Racks
- Telescopic Runners
- With Rotisserie



LBO-LINOX 9EM-87SS

NORMAL PRICE RM5,200

PWP NOW **RM2,588**

- 9 Functions
- 87 Litres XXL Capacity
- Steam Clean
- Removable Triple Layer Glass Door
- Low E Glass
- 6 Layers Side Wire Racks
- With Rotisserie
- Mechanical Timer



STEAM CLEANING



REMOVABLE TRIPLE LAYER



ENAMEL GREY CAVITY INTERIOR

+PWP

FOR LBO-LINOX 9E4T-87SS & LBO-LINOX 9EM-87SS PACKAGE



ADD ON RM198
LKW-307
7SET 7PCS COOKWARE
WORTH RM799



TURBO HEATING WITH FAN



TOP HEATING ELEMENT



TOP & BOTTOM HEATING WITH FAN



TOP & BOTTOM HEATING



TIMER



LAMP OVEN



GRILL



STEAM CLEANING



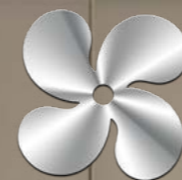
GRILL & FAN



FAN

LBO-LINOX 9EM-87SS	✓	✓	✓	✓	MECHANIC	✓	✓	✓	✓	✓
LBO-LINOX 9E4T-87SS	✓	✓	✓	✓	DIGITAL	✓	✓	✓	✓	✓

PWP WITH HOOD+HOB PACKAGE



EQUIP YOUR HOME WITH MICROWAVE CONVECTION OVEN



LMW-925-BL

NORMAL PRICE RM3,320

PWP NOW **RM1,688**

- Digital Control With Grill & Convection
- Grill Power: 1100W
- Convection Power: 2400W
- Cavity : Stainless Steel
- Glass Door : Black Finishing
- 25 Litres
- 5 Power Levels
- 8 Auto Menus
- 95min Cooking Timer
- Cooking End Signal
- Defrost by Weight & Time Setting
- 30 seconds Quick Start
- 345mm Glass Turntable



LMW-928

NORMAL PRICE RM2,870

PWP NOW **RM1,288**

- Digital Control with Automatic Timer
- Stainless Steel Chamber
- Auto Programme 8 Recipes
- 28 Litres
- Defrost by Weight & Time Setting
- Microwave and Grill Heating
- Recirculating Fan



LSO-A428-SS

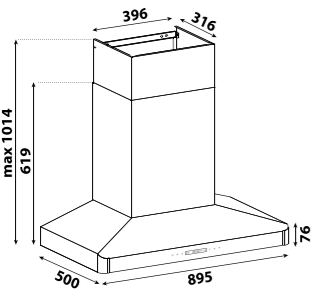
NORMAL PRICE RM5,300

PWP NOW **RM2,988**

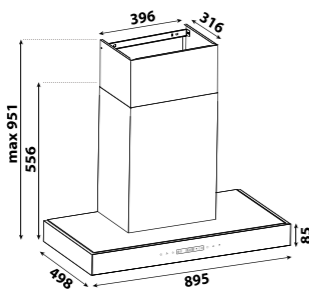
- LED Touch Panel Control
- Cavity : Stainless Steel with 3 Layer Shelves
- Glass Door : Black Finishing
- 42 Litres Large Capacity
- 8 Pre-set Menu Steam Function
- Temperature Setting : 38 - 100°C (default on Ferment & Defrost mode)
- Time Setting : 01 - 99 min
- Auto Sleep Mode
- Child Lock Safety Device

BUILT-IN HOOD DIMENSION

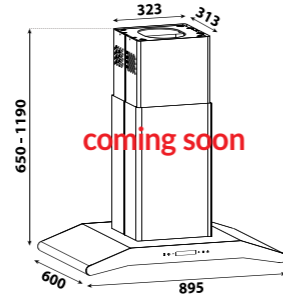
measurements in mm



LCH-AMOLITE-90SS

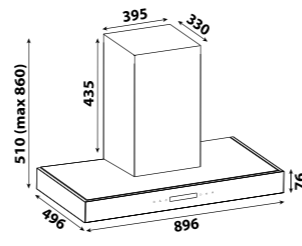


LCH-RUBY-90SS

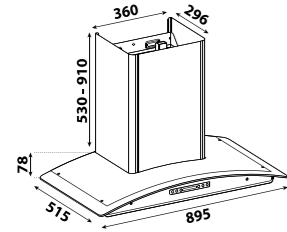


coming soon

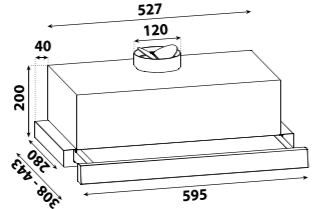
LCH-800i-90SS



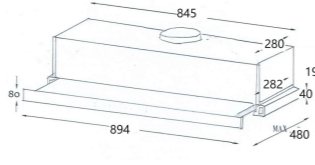
LCH-LAPIS-90SS



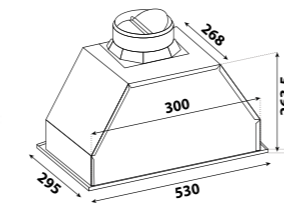
LCH-TOPAZ-90SS



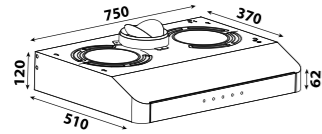
LCH-60L03



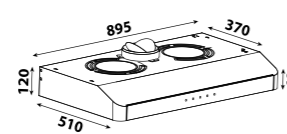
LCH-90L03



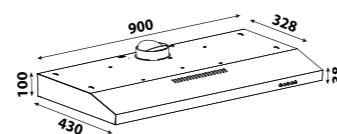
LCH-605-60SS



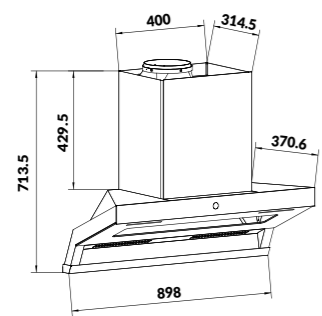
LCH-620-76B



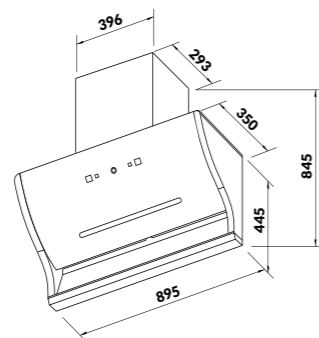
LCH-620-90B



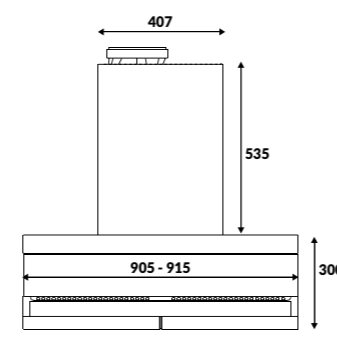
LCH-601A-90SS / LCH-601A-90BL



LCH-VELLA-90BL



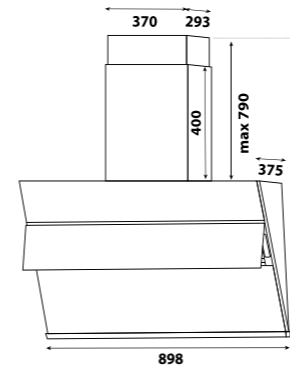
LCH-LILY-90BL



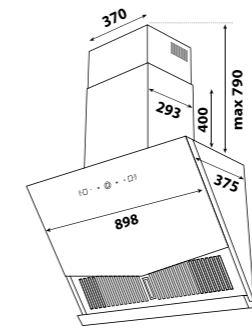
LCH-90SW-GM

BUILT-IN HOOD DIMENSION

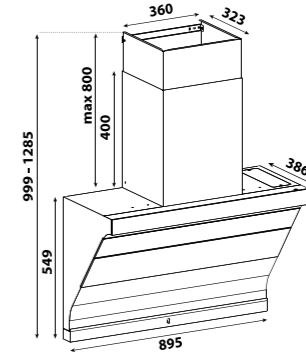
measurements in mm



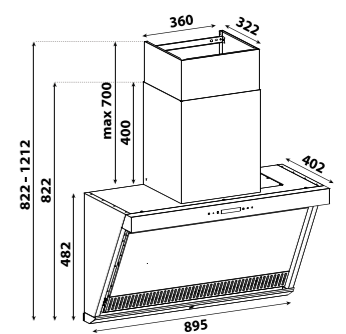
LCH-OCEAN-90BL



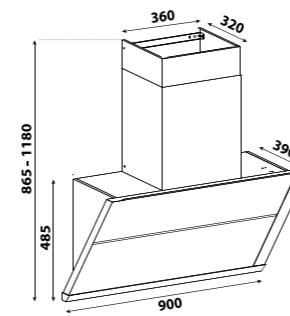
LCH-NITE-90BL



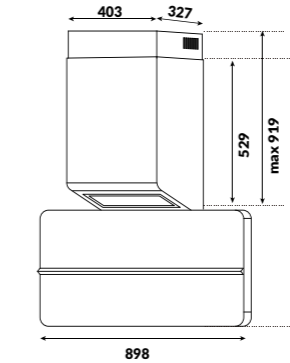
LCH-LAZULI-90SS



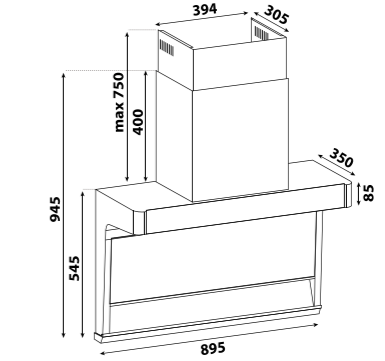
LCH-GOSSAN-90SS



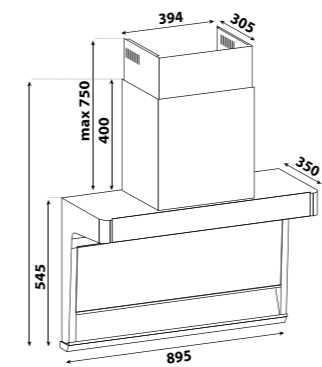
LCH-PEARL-90B



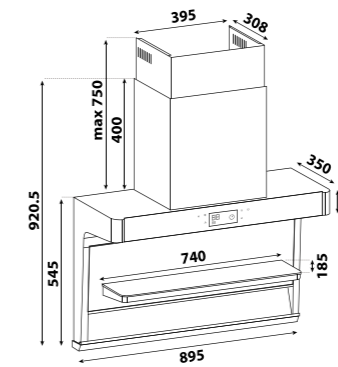
LCH-ROSEDC-90BL



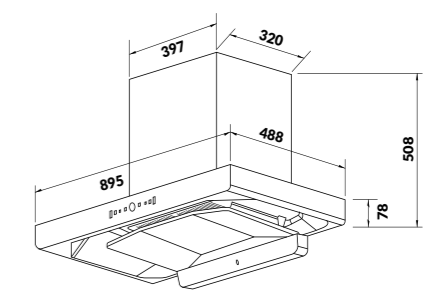
LCH-COPPERDC-90BL



LCH-COPPERDC-GM-90

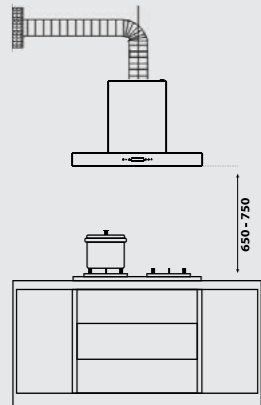


LCH-COPPERPLUS-90SS



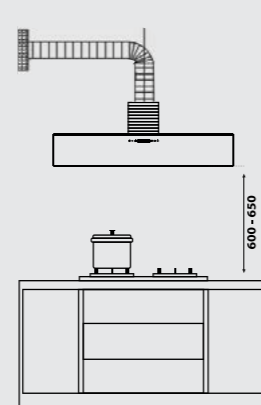
LCH-METAL-90GM

T-Hood



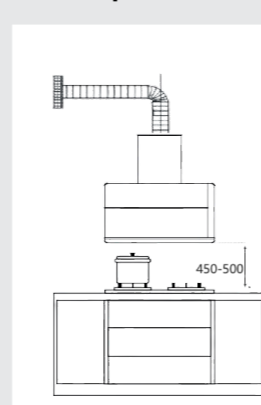
- LCH-AMOLITE-90SS
- LCH-RUBY-90SS
- LCH-800i-90SS
- LCH-LAPIS-90SS
- LCH-TOPAZ-90SS
- LCH-METAL-90GM

Slim Hood

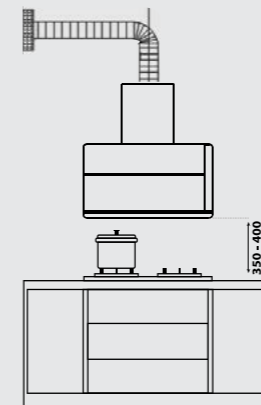


- LCH-620-76B/90B
- LCH-601A-90SS/BL
- LCH-605-60SS
- LCH-60L03
- LCH-90L03

Compact Hood



Slanted Hood



- LCH-VELLA-90BL
- LCH-LILY-90BL
- LCH-90SW-GM

- LCH-OCEAN-90BL
- LCH-LAZULI-90SS
- LCH-GOSSAN-90SS
- LCH-PEARL-90B
- LCH-NITE-90BL

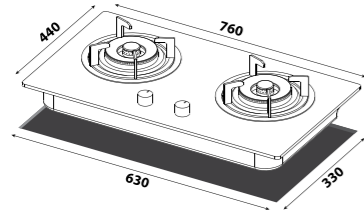
L-Shape Hood



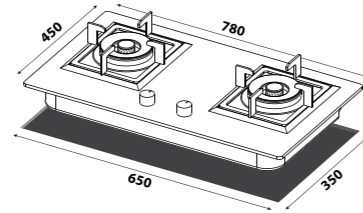
- LCH-COPPERDC-90BL
- LCH-COPPERPLUS-90SS
- LCH-COPPERDC-GM-90
- LCH-ROSEDC-90BL

BUILT-IN GAS HOB DIMENSION

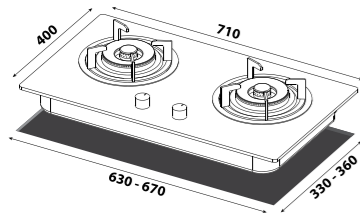
measurements in mm



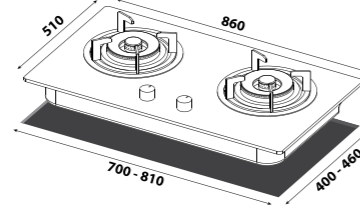
LGH-EURECA 2B-BL



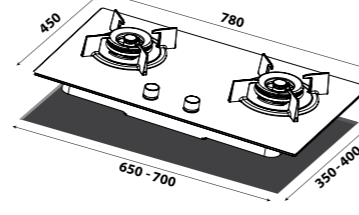
LGH-LOTUS 2B-BL



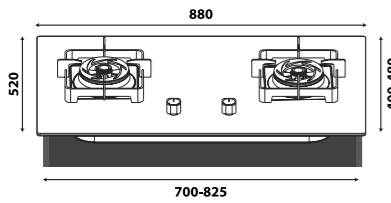
LGH-ABIE 2B-SS
(FLEXIBLE DIMENSION)



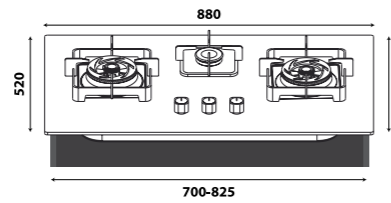
LGH-ACER 2BF-BL / LGH-PINE 3BF-BL
(FLEXIBLE DIMENSION)



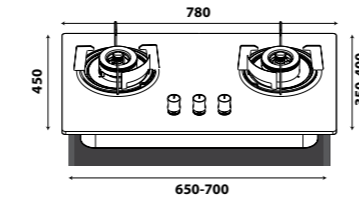
LGH-MAPLE 2BA-BL
(FLEXIBLE DIMENSION)



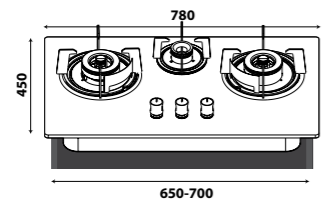
LGH-588T 2B-BL
(FLEXIBLE DIMENSION)



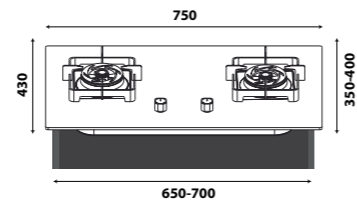
LGH-688T 3B-BL
(FLEXIBLE DIMENSION)



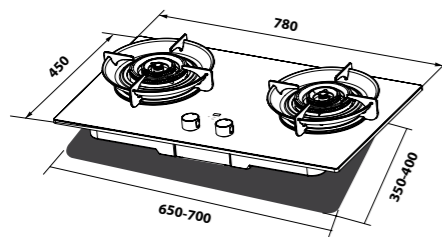
LGH-328T 2B-BL
(FLEXIBLE DIMENSION)



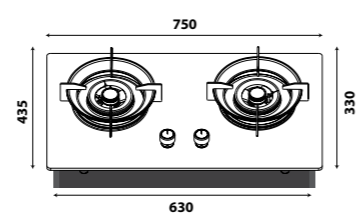
LGH-338T 3B-BL
(FLEXIBLE DIMENSION)



LGH-428 2B-SS
(FLEXIBLE DIMENSION)



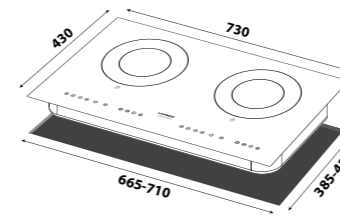
LGH-PEBBLE 2B-BL
(FLEXIBLE DIMENSION)



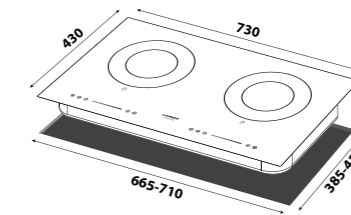
LGH-438B 2B-SL / LGH-438G 2B-SL

BUILT-IN ELECTRICAL HOB DIMENSION

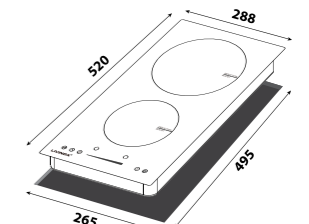
measurements in mm



LEH-3118CS / LEH-4118CS / LEH-5118CS



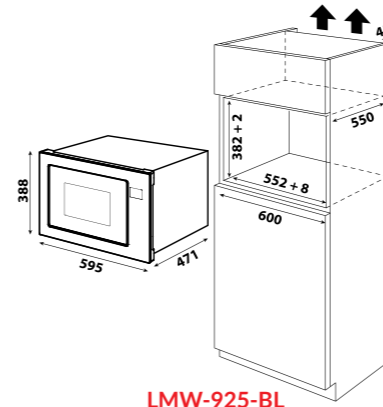
LEH-3318CS / LEH-3218CS



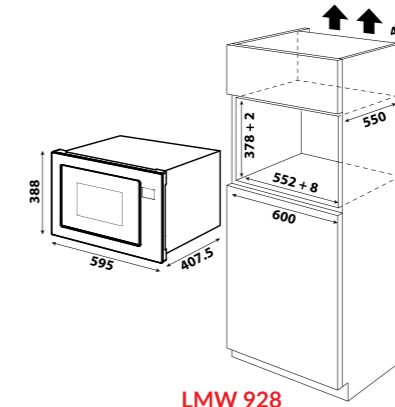
LEH-2000I / LEH-3000C

BUILT-IN OVEN/MICROWAVE/STEAM OVEN DIMENSION

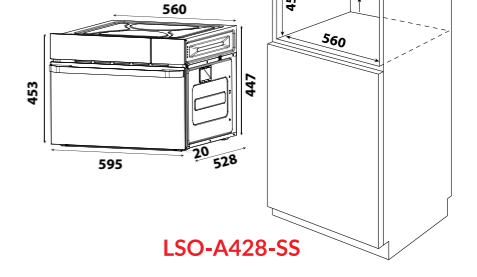
measurements in mm



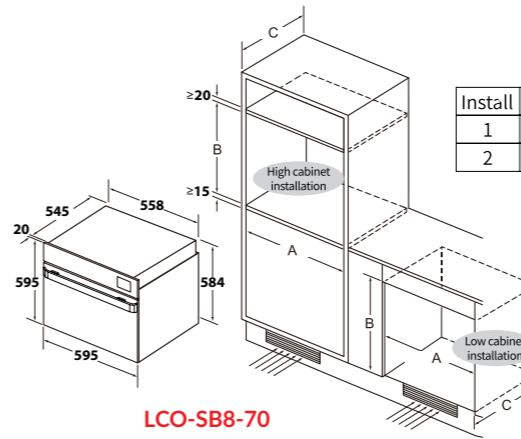
LMW-925-BL



LMW-928

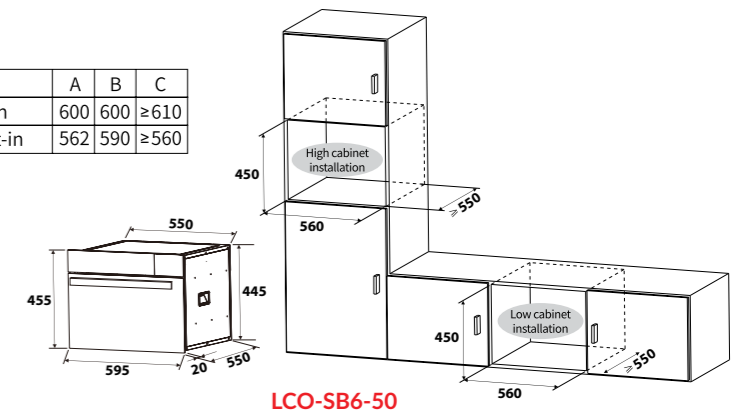


LSO-A428-SS

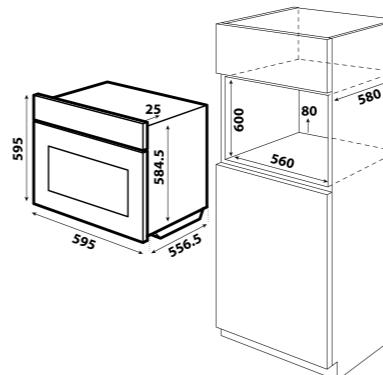


LCO-SB8-70

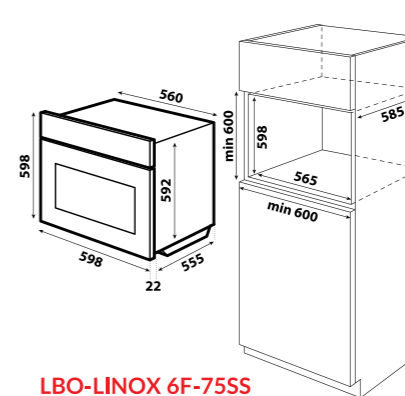
Install	Method	A	B	C
1	Dim. of full Built-in	600	600	≥610
2	Dim. of Semi Built-in	562	590	≥560



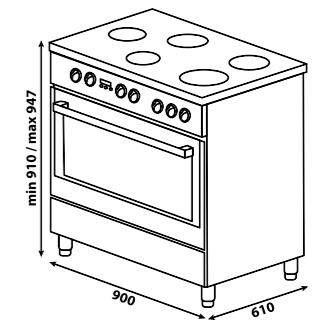
LCO-SB6-50



LBO-LINOX 9EM-87SS
LBO-LINOX 9E4T-87SS



LBO-LINOX 6F-75SS
LBO-LINOX 9F-75SS
LBO-LINOX 18F-75SS



LFC-9609-110SS
LFC-9607-110SS

OUR WARRANTY



APPLY FOR HOOD MOTOR ONLY
*Not applicable for
LCH601-90SS, LCH-60L03



STANDARD WARRANTY
GENERAL PARTS COMPONENT
(Hood, Hob & Oven general parts)



WARRANTY EXTENSION
(6 months extended warranty
after successful online registration)



1. Please fill up the information.
2. You will received the notification confirmation via email.
3. Please keep your online warranty confirmation for your future reference.

LIVINOX[®]
FOR A BETTER LIFESTYLE

Livinox Malaysia Sdn Bhd (1089457-U)
Block B-1-29, 30 & 31, Dataran Cascades, No.13A, Jalan PJU 5, Kota Damansara
47810 Petaling Jaya, Selangor, Malaysia.
T 03 7611 6192 F 03 7611 6191

The products shown will be available during the promotion period. All price are subject to change without prior notice.
Livinox Malaysia Sdn Bhd reserves the right to change to the existing terms & condition.

AUTHORIZED DEALER