

LIVINOX[®]

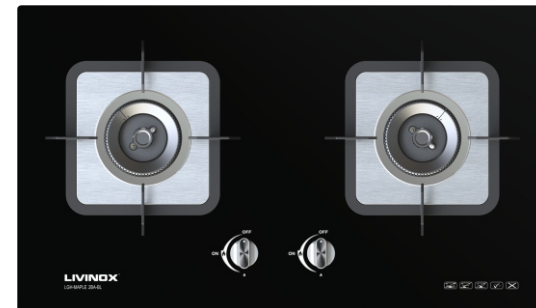
LIVINOX Malaysia Sdn Bhd

Blok B-1-29, Dataran Cascades
NO.13A, Jalan PJU5, Kota Damansara
47810 Petaling Jaya, Selangor.

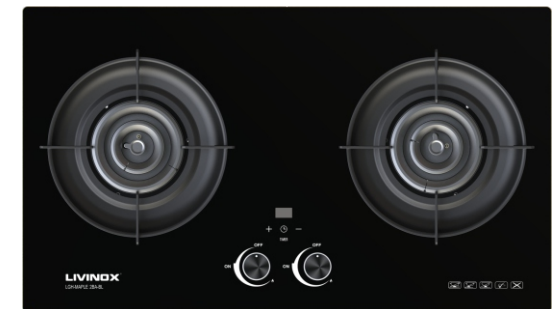
Careline
603-76116192

LIVINOX[®]

Instruction Manual



LGH-ECO 2B-BL
2 Burner Glass Hob



LGH-PEBBLE 2B-BL
2 Burner Glass Hob

Before operating this unit, please read these instructions completely.

Dear Consumer,
 Thank you for your purchase of our products. To ensure you use the appliance in the best effect, please read this instruction manual with care before using and save it for future reference.



The manufacturer declines all responsibility for damage to persons or things caused by non-observance of the above prescriptions or by interference with any part of the appliance or by the use of non-original spares

CONTENT

| | |
|---|----|
| SPECIAL PRECAUTIONS | 1 |
| PARTS IDENTIFICATION | 3 |
| INSTALLATION | 4 |
| DIRECTION FOR USE | 7 |
| DIRECTION FOR USING THE TIMER | 8 |
| CLEANING AND MAINTENANCE | 9 |
| TROUBLE-SHOOTING GUIDE | 10 |
| TIMER FUNCTION FAILURE CODE MAINTENANCE | 11 |

(1) SPECIAL PRECAUTIONS

To avoid any danger and loss when using the hob, we make below mark. Below is all about special precautions. Please pay full attention to it and operate in a right way.

■ Marks are identified by different danger and loss level

WARNING If ignoring this mark and operate improperly, it may lead die, hurt or fire.

ATTENTION If ignoring this mark and operate improperly, it may lead die, hurt or fire.

ADVICE In order to be safe and convenient when using it, please kindly understand this content.

■ Marks for ATTENTION

| | | | | | |
|---------|---------|-------------|---------|----------|----------------|
| | | | | | |
| BURNING | MUST DO | FORBIDDANCE | NO FIRE | NO TOUCH | NO DISASSEMBLY |

DANGER

When gas leakage
 1. stop using the hob immediately.
 2. turn off the gas valve
 3. open windows and doors
 4. contact the local gas company



If case of gas leakage
 *do not ignite any fire.
 *do not turn on any electrical appliance
 *do not touch power plug
 *do not use telephone nearby

Flame spark will lead fire.



When feeling strange burning, or smell gas, or in case of earthquake, fire, please do as below:
 1. turn the knob to OFF position
 2. turn off the gas valve
 3. contact our after-sale service dept. immediately

Above is to avoid fire or fault.

Please use the right type of gas according to the rating label.

If use the gas other than that are appointed, it may leads gas cooker damage or even fire.

! To install, repair, move a gas appliance, must be carried out by our service dept., or a registered gas installer. Otherwise, we will not take the responsibility for any damage.

⊘ Any easy-burned item like clothes, newspaper, coal oil, can not be put nearby the hob.



It may lead fire.



⊘ Any repair, disassembly must be carried out by registered technical people. Or else, it may leads fire or fault.

! Must use the specified gas pipe.

! Do not use coal oil, gas oil, or other easy-burning and explosive product nearby the hob.

It may lead fire.

! Do not put any spray container nearby the hob. It may lead fire.

⚠ ATTENTION

! There should be space of at least 400mm height between the hob bottom and cupboard. And the space can not be sealed, with hole of diameter not less than 0.2 sq meter.

! There should be space between hob and items nearby. (not less than 150mm from the wall, 1mm from above)

⊘ Gas container can not be put right below the hob. Gas pipe not more than 2 meters.

! The hob should be kept more than 1 meter away from the gas container. Gas pipe can not reach other part of the hob.

! To ensure the burner and trivet are put in the right place before using the hob.

! Keep the kitchen in ventilated situation. But do not let strong wind to below the burner directly.

⚠ Do not touch the trivet and burner immediately after using it, because they're very hot.

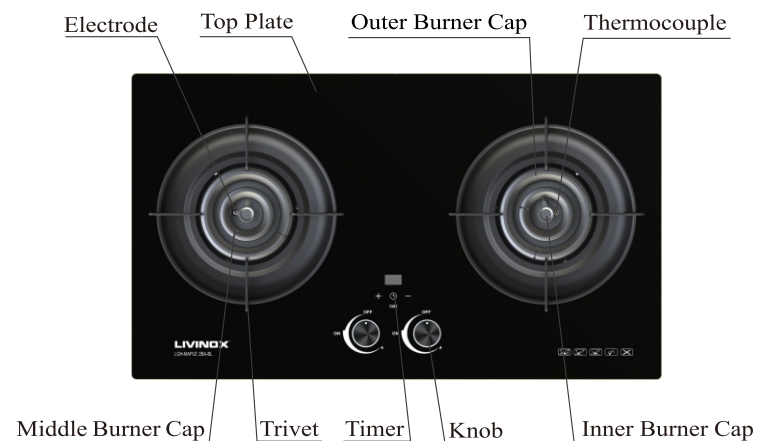
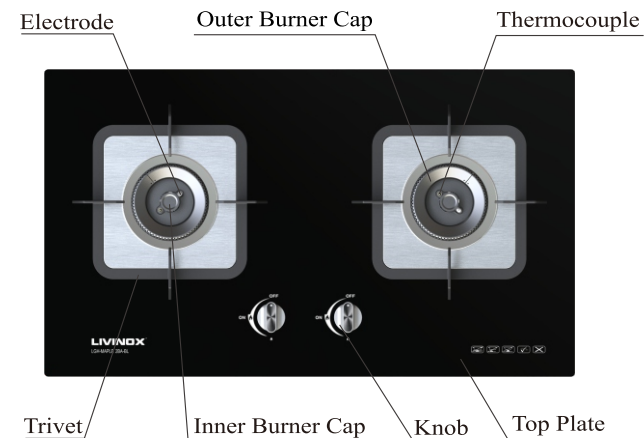
! Turn the knob to OFF and turn off the gas valve after using. Remember to turn off the gas brake when you go out or go to sleep.

ADVICE

Check whether the gas pipe are in a good situation sometimes. The pipe should be changed for every two years.

(2) PARTS IDENTIFICATION

1. PARTS IDENTIFICATION

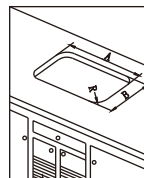


Remark: above is the built-in hob structure and part identification. Other type of hob can refer to above picture.

(3) INSTALLATION

1. Open holes in the cupboard:

Open holes in the cupboard with the instruction paper in the package. (see picture 3)

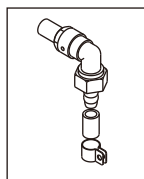


Shutter

picture 3

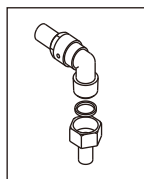
2. Install the gas pipe

- A. If to use plastic tube: put in the airproof caution, connect the tube and hob connector, fasten the clip. (see picture 4)



picture 4

- B. If to use metal tube: put in the airproof caution, fasten the nuts on the connection. (See picture 5)



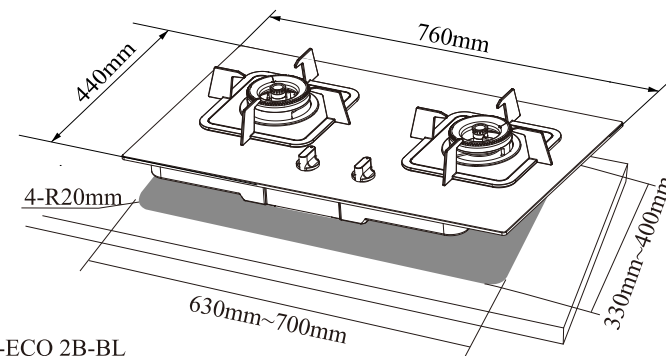
picture 5

3. Put the hob in the right hole on the cupboard, check whether it's installed in a balance.

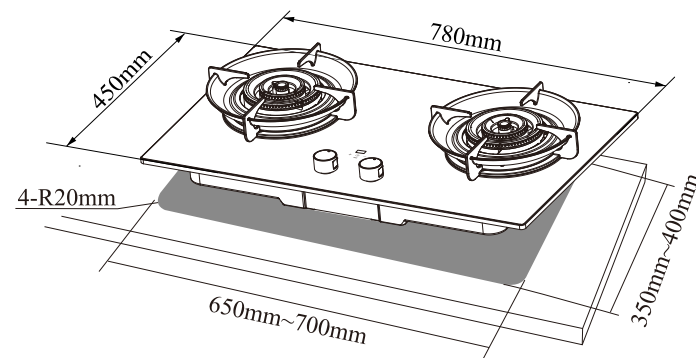
The bottom of top plate should be stuck with seal packing.

4. check leakage: turn on the gas valve. check whether with soap water there's leakage in the connection. If any leakage, it needs to be reinstalled.(there'll be air bubble for leakage).

5. Cut-out dimensions



LGH-ECO 2B-BL



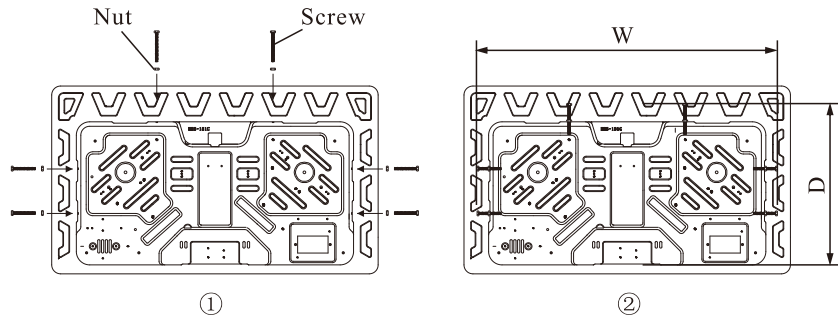
LGH-PEBBLE 2B-BL

(4) DIRECTION FOR USE

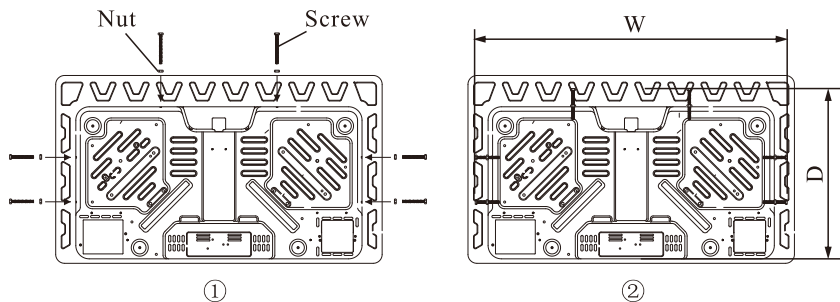
6. Securing the bottom casing on to the bench

Secure the bottom housing to the workbench by securing the 6 screws provided, 2 screws each on the left and right and 2 screws on the rear of the bottom housing (refer below for pictogram and instructions) to prevent the cooktop from shaking during use.

LGH-ECO 2B-BL adjustable range (W×D): 630-700 × 330-400(mm)



LGH-PEBBLE 2B-BL adjustable range (W×D): 650-700 × 350-400(mm)



- ① Place the adjustment screw in the position indicated by the arrow on the bottom housing.
- ② Adjust the screw size corresponding to the width(W) and depth(D) according to the actual opening size, and fix it with a nut.

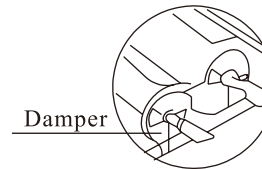
(6)

Ignition safety hob have flame failure protect device. When accident flame failure occurs by wind or spilled liquid, the flame failure protect device will shut the gas supply automatically.

- 1.put in battery properly. (battery case in the right-front side at the hob bottom).
- 2.turn on the gas valve
- 3.Turn the knob left until it reaches the full on position (about 90 degree anti-clockwise).
Having heard the sound of continuous sparks, simultaneously the burner will be ignited.
Keep pushing the knob for 5-8 seconds before taking your hands off.
- 4.you can choose five different fame by turning the hob.
- 5.turn the hob to OFF by clockwise. After continuous sound, the gas supply will be broken, and flame out.

NOTE:

1. For the newly installed hob or hob not used for some time, it may fail to ignite at first time, because there's air in the tube. You can repeat until the air is exhausted out, then it can work.
2. If there's yellowish flame or uneven flame, adjust the damper at the bottom to get a normal flame.






picture 6

(7)

(5) DIRECTION FOR USING THE TIMER

Only LGH-PEBBLE 2B-BL has this feature

1. Turn on the hob in order to confirm it works normally.
2. Long press timer switch “”, display screen shows “5” (minutes) and starts flashing.
3. Press “+” or “-” to adjust the timer setting when flashing, Settings will repeat stepwise in cycles.
Press “+”, timer will adjust in steps as follows:
→ 0 → 1 → 2 → → 14 → 15 → 20 → 25 → 30 → 40 → 50 → → 170 → 180 → 0
Press “-”, timer will adjust in steps as follows:
→ 0 → 180 → 170 → → 50 → 40 → 30 → 25 → 20 → 15 → 14 → → 2 → 1 → 0
Time setting is done if there is no operation for 5 seconds. Display screen shows countdown in minutes.
4. If you need to re-set the timer, shortly press “”, the time on the screen will flash, then press the “+” or “-” to adjust the time.
5. From 10 seconds before the timer ends, the buzzer will sound 10 times as notification.
When timer ends, the display screen will show “00” for 10 seconds and repeats every 5 minutes until the knob is turned off.
6. Long press “” to cancel the timer. The display screen will be off.

(6) CLEANING AND MAINTENANCE

To ensure the hob can be used properly, the clearance and maintenance is necessary. Keep the hole of burner cap and gas flow not to be stuff. Keep the electrode and thermocouple clear. Before clearing and maintenance, shut off the gas supply and let all parts cold.

Wash burner caps, burner, electrode, thermocouple and trivets with mild detergent when they're dirty. Then put them back to their proper position. Use steel wire to clear the dirt in the burner cap. When the top plate get dirty, never use any sharp or hard brush but only sponge brush with mild detergent to clean them.

To check the gas tube often, and change new gas tube for every two years.

(7) TROUBLE-SHOOTING GUIDE

| Trouble | Cause | Remedy | |
|-------------------------------|--|--|---|
| Burners can not be ignited. | Gas supply is not opened | Turn on the gas | ○ |
| | Gas type is bent or crushed. | Straighten or changing the tube | ○ |
| | Short of gas supply | Replace it | ○ |
| | Air remains in the gas piping | Repeat igniting operation until all air in the piping is purged out. | ○ |
| | Electrode not in right position | Adjust it's position | △ |
| | Small spark when ignition operation | Clear the Electrode | ○ |
| | Out off battery | Replace or install the battery | ○ |
| | Electrode broken | Replace the ignition electrode | △ |
| Flame is extinguished | Thermocouple dirty, broken, or not in right position | Clear or replace it, or adjust it's position | △ |
| | Electromagnet valve broken | Replace it | △ |
| | Valve broken | Replace it | △ |
| | Uneven flame in thermocouple | Adjust the damper | ○ |
| Gas leakage (or smell of gas) | Cracks or holes in Gas pipe | Replace it with a new one | △ |
| | The main flame of burners is not ignited | Ignite again after the gas is clear in the air. | ○ |
| | Gas valve is not well sealed | Replace gas valve | △ |
| | Sealing packing for gasvalve is broken | Replace the sealing packing. | ○ |
| Flame not regular | Burner cap not in proper position | Put it to proper position | ○ |
| Weak flame | Gas pressure not enough | Check the gas flow | △ |
| Flame easy to fall | Damper hole is too big | Adapt the damper | ○ |
| Long and yellow flame | Damper hole is too small | Adapt the damper | ○ |
| Uneven flame | Hole for burner cap is stuff | Clear the hole | ○ |

(8) TIMER FUNCTION FAILURE CODE MAINTENANCE

| Warning | Notification | Failure code | Corrective Action | |
|--------------------------------|--|--------------|---|---|
| “Timing end” warning | For the remaining 10s, the buzzer will operate at 1Hz frequency last for 20s. When timer finish count down as 0s, turn off action will be executed automatically, "En" code will be displayed on the screen last for 10s. Then buzzer will repeat the warning tone for 10s every 5mins until the control knob is switched to off position. | En | Return the knob to “OFF” position and re-start. | ○ |
| “Thermocouple failure” warning | “E1” will flash with warning buzz for 10 seconds and repeats every 5 minutes until the knob is turned off | E1 | Replace thermocouple or plus ignitor | △ |
| “Low battery voltage” warning | “Lo” will flash with warning buzz for 10 seconds and repeats every 5 minutes until the knob is turned off | Lo | Turn the flame controller knob to OFF position and replance battery | ○ |

- Remarks: 1. Corrective action with mark “○” can be solved by users. Corrective action with mark “△” must be required by RGI. If user cannot solve the problem according to the above guide, please contact after-sale service department for assistance.
2. The burner cannot be ignited during warning.
3. The warning buzz only executed when the flame controller knob “on”, and there is no warning and failure code when the flame controller knob “off” .